

 Internet Link Exchange

Member of the [Internet Link Exchange](#)

 In-House Counter

COLER CONVERTER

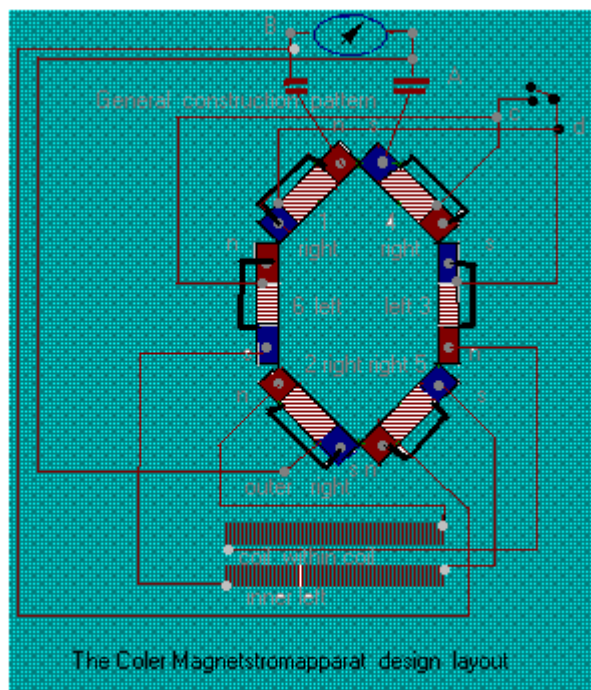
Haunebu Flying Saucer with Coler generator on board (picture of saucer in flight not included)

Enhanced graphics courtesy of ==> <http://www2.murray.net.au/users/egel/>

Don't miss a similar but more advanced energy producing device, [The Rory Johnson Magnetic Motor](#).

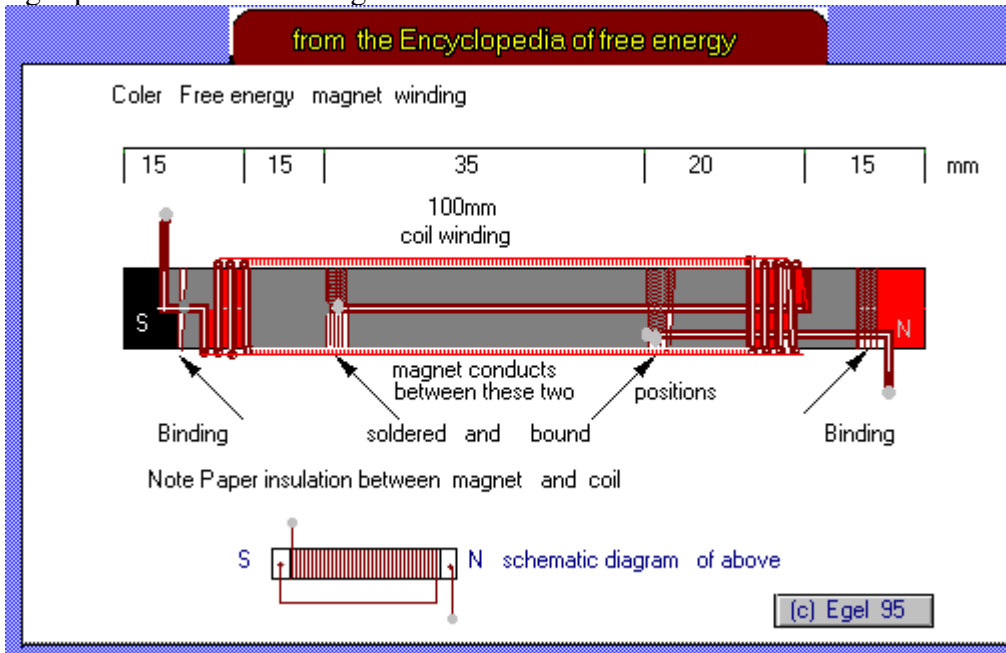
SS Captain Hans Coler of Germany developed an overunity device in the late 1920's and 1930's that converted gravitational and magnetic energy into electromagnetic energy in the form of electric current. The following description of the device was obtained from a recently declassified British Intelligence Objectives Sub-Committee final report No. 1043 ITEM No. 31 titled The Invention of Hans Coler, Relating to a New Source of Power, publication dates Summer of 1946. The following is a summary of the 32 page report. Coler, the inventor of two devices, alleges that electrical energy may be derived without a chemical or mechanical source of power.

1. The "Magnetstromapparat" was a device which consisted of 6 permanent magnets wound in a special way that the magnet and the copper winding around the magnet and components act as a generating device. See Fig 1.



These 6 Magnet coils were arranged in a symmetric hexagon and connected as shown in a circuit which includes 2 small condensers, a switch, and a pair of solenoid coils, one sliding inside the other. See Fig 2.

The trick to make the circuit work is the right separation distances of the magnet coils as well as the right positions of the sliding coils.



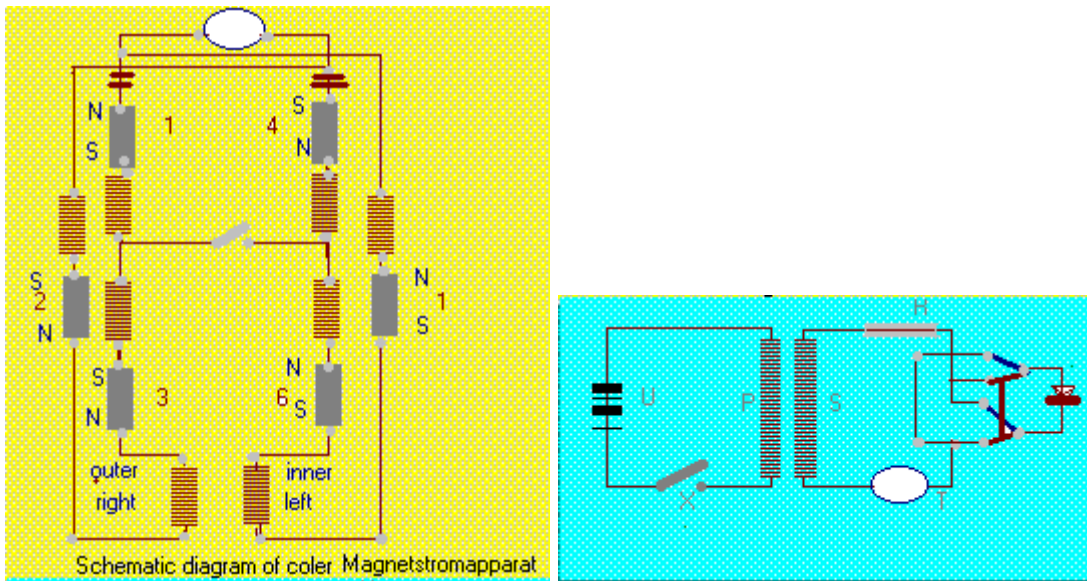
A volt meter was placed between the circuit until the optimum voltage read 12V. This technology is commonly referred to as a magnetic battery, of which various forms have been discussed in previous Inside Editions [DO SUBSCRIBE to Electrifying Times phone (541)388-1908; fax (541)388-2750; You can SUBSCRIBE TO ELECTRIFYING TIMES MAGAZINE by mail at: [Electrifying Times Magazine](#)

This device was developed by Coler and Von Unruh in 1933, and they were later assisted by Franz Haid of Siemens-Schukert who built a model that produced 12V of electrical energy for 3 months locked in a room in the Norwegian Legation at Berlin in 1933.

This particular generating device appears to have been the fundamental groundwork for the generating device in the German Flying Saucer program; specifically, the Coler converter, on board the free energy Haunebu saucers, was coupled to a Van de Graaf band generator and to a Marconi spherical vortex dynamo (a giant hollow sphere of spinning mercury), which produced an electro-magneto-gravitic field around the craft, that lifted it from the ground.

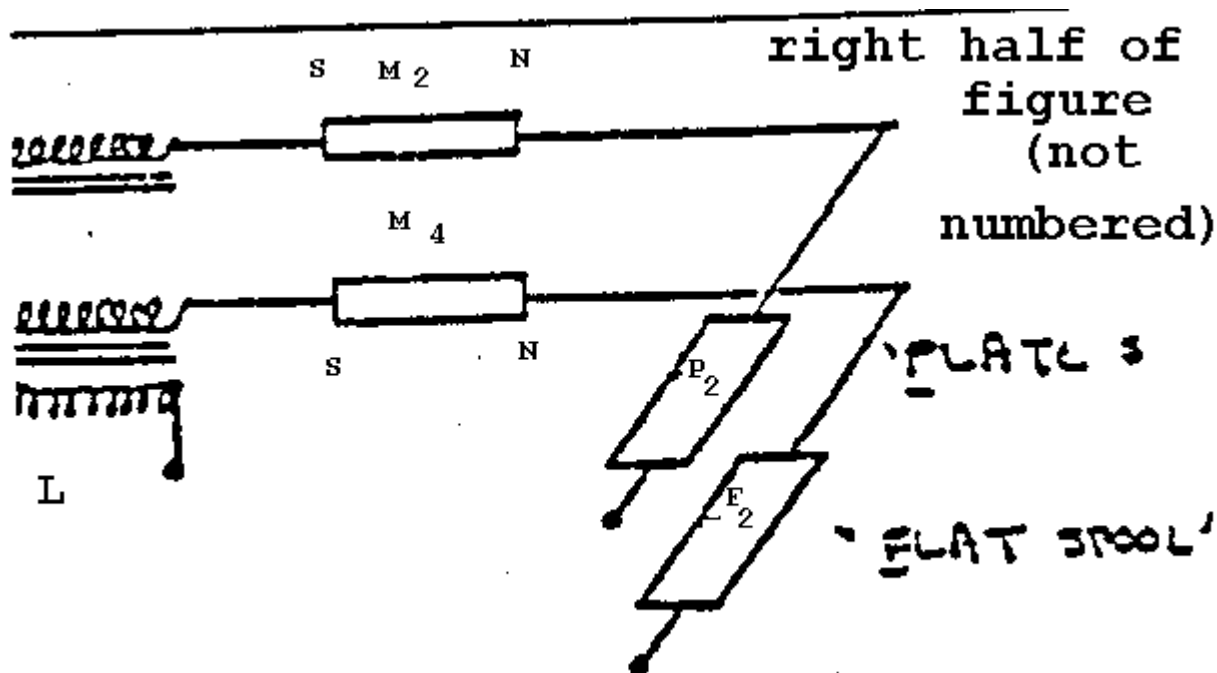
The whole antigravity drive was called the Thule Tachyonator in the name of the secret society that organized the secret research. These devices were produced under the tightest security in the factories of AEG and Siemens.

2. The second device Hans Coler produced was called the "stromerzeuger". This device consisted of an arrangement of magnets, flat coils, and copper plates, with the primary circuit energized by a small battery. Fig. 3.

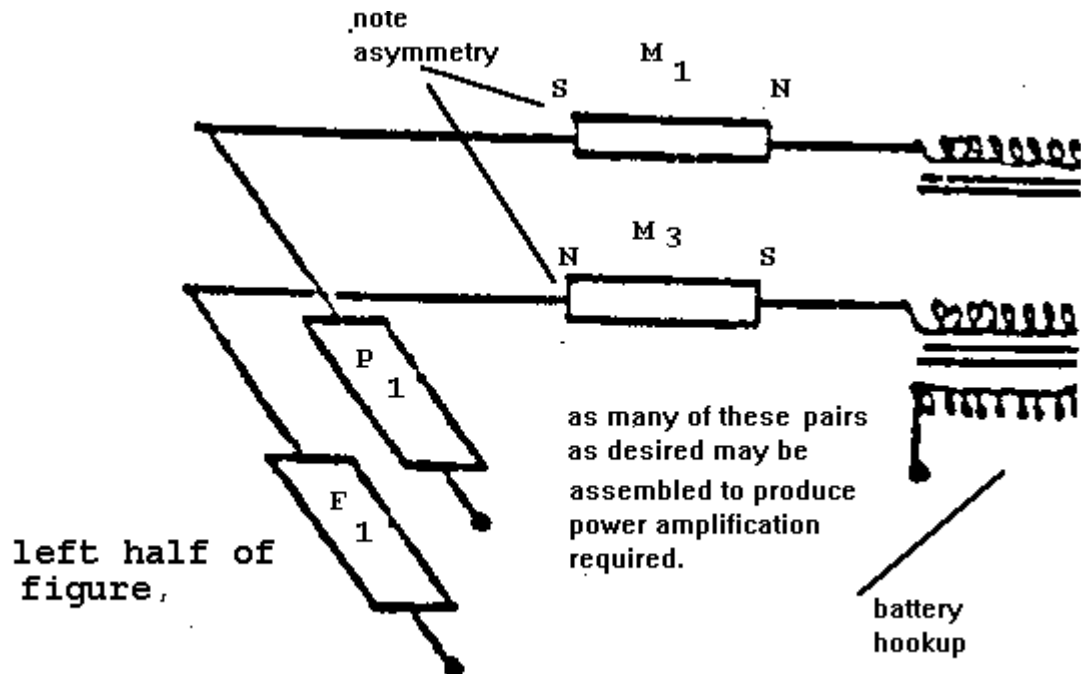


The output from the secondary was used to light a bank of lights. It was claimed to be many times the original input, and to continue indefinitely. In 1925 Coler showed a small (10 watt) version to Prof. Kloss (Berlin) who asked the government to give it a thorough investigation. But it was refused, as it was also a patent, on the grounds that it was a "perpetual motion machine." It was tested and verified by Dr. Ing. M. Koss, Professor, from Berlin, and Professor W.O. Schumann of Munich. This technology is also stated to have gone underground or classified, although the official report was that the device was destroyed by Allied Bombing in 1945.

A brief description and sketch of the device is shown. The basic principle used in the "Stromerzeuger" device is that the electron is to be regarded not only as a negatively charged particle but also as a South magnetic pole. The basic element is that of an open secondary circuit, capacity loaded, inductively coupled to a primary circuit.



"stromerzeuger" right half above it is an effective north pole



"stro

left half of stromerzeuger is an effective south pole.

..... These paired stromerzeugeren comprise the equivalent of an EDS ([../~zap/beebee.htm](http://~zap/beebee.htm)), with the left half being a south pole and the right the north pole. It is important to understand this.....

The novel feature is the capacities connected to the secondary come through permanent magnets as shown. It is claimed that upon switching on the primary circuit, "separation of charges" takes place, i.e. M1 becomes positively charged, M2 becomes negatively charged, and these charges are "magnetically polarized" when they're formed, owing to the presence of the magnets.

Upon switching off the primary circuit a "reversing current" flows in the secondary, but the magnets do not exert a polarizing effect on this reversal". Two of these basic elements are now placed together, making a double system or stage with the plates close together in parallel planes as shown: The secondary windings are both exactly equal and wound in the direction so that upon switching on the primary coil, the electrons in the secondary coil flow from P1 To P2 and from F1 to F2. F1 to F2 merely has an inducing effect, and the useful current comes into existence in P1 and P2.

3. A single stage cannot be effective, but 2 stages connected so that the numbers of effective north and south poles are equal, will provide a basic working arrangement. More double stages can be added to provide higher outputs

4. As the normal electrons flowing from the battery and induction, when the circuit is open or closed, "space electrons" flow from "repelling spaces" to "attracting spaces" between plates.

The wording here is a little thick. This page will be spruced up, especially the graphics, but do enjoy to have been able to take a gander at this.

• [BACK TO MAIN PAGE.](#)

Fc 919783

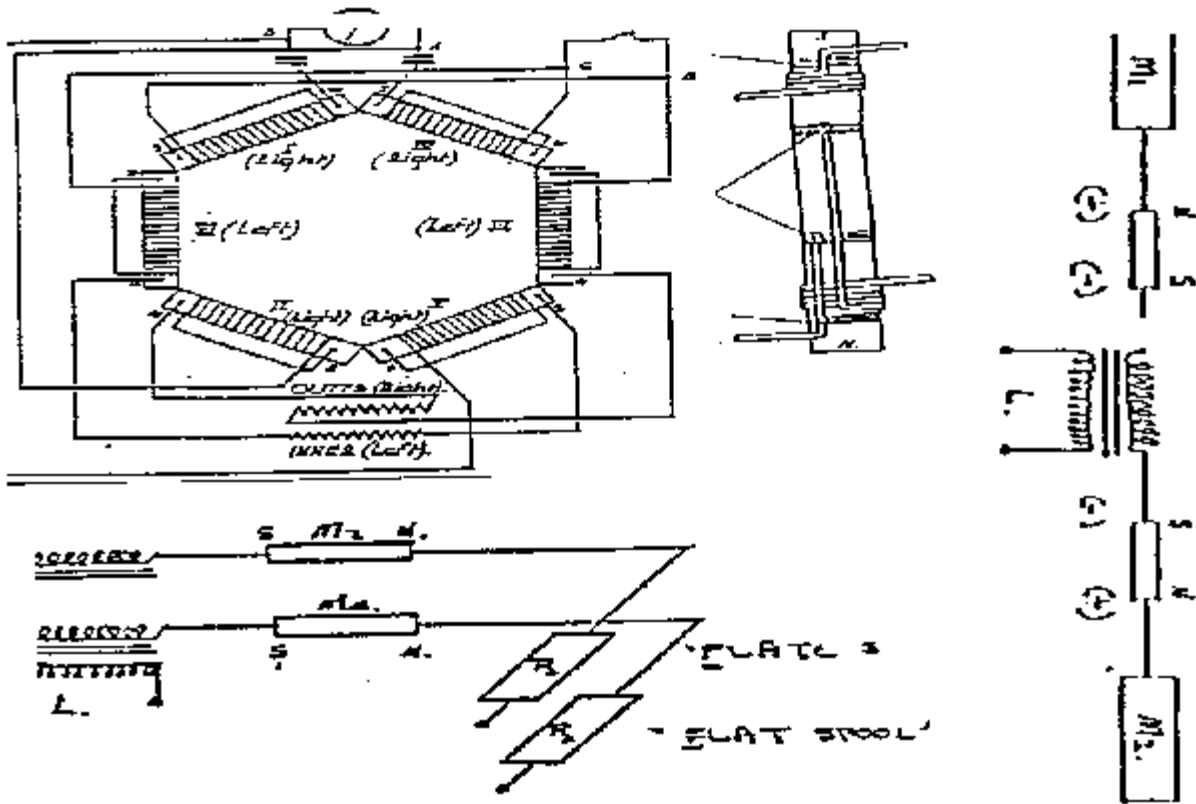
[LE FastCounter](#)

You can reach Fourth Millennium, or Z.A.P. by e-mail at zap.dnai@rcn.com to consult for examples of technology engineered to your specifications.

Contact Information	
	<p>Fourth Millennium zap.dnai@rcn.com</p> <p>(510) 717 6737 toes show picture is fake</p>

<http://www2.murray.net.au/users/egel/> VISIT THIS SITE FOR MORE OVERUNITY DEVICES AND GOOD GRAPHICS.

[VISIT THIS SITE FOR MORE OVERUNITY DEVICES AND GOOD GRAPHICS](http://www2.murray.net.au/users/egel/) *French*



Contact information